

PolaNt*_MC: GPS/GLONASS/GALILEO L-Band

*PolaNt*_MC is a lightweight, sturdy high precision geodetic multi-frequency multi-constellation antenna for use in physically demanding applications. PolaNt*_MC is compatible with the PolARx/AsteRx/LBR family of high performance multiple-frequency GNSS receivers. This high-gain antenna incorporates a low-noise amplifier, and is built into a rugged and environmentally sealed housing with aluminum bottom plate.*



PERFORMANCE

Frequency	1525 - 1559 MHz (L-Band) 1565 - 1610 MHz (GPS L1 - GLO L1) 1160 - 1196 MHz (GPS L5/GAL E5a) 1217 - 1252 MHz (GPS L2 - GLO L2 - GAL E5b)
Polarization	RHCP
Axial Ratio	3dB max
Radiation Coverage	
$\theta = 0^\circ$	6.0 dBic
$0^\circ < \theta < 75^\circ$	-2.0 dBic
$75^\circ \leq \theta < 80^\circ$	-3.0 dBic
$80^\circ \leq \theta < 85^\circ$	-4.0 dBic
$\theta = 90^\circ$	-5.0 dBic
Amplifier	
Gain	39 ± 2 dB
Noise Figure	2.6 dB max
Input Voltage	+ 3 to +15 VDC
Current	65 mA (typ)
Power handling	1W
Impedance	50 Ω
VSWR	$\leq 2.0:1$

PHYSICAL AND ENVIRONMENTAL

Finish	White Radome with black aluminum base
Weight	≈ 499 g
Diameter	146 mm
Connector	TNCF
Operating Temperature	-55°C to +85°C
Designed to	DO-160D

OTHER PRODUCTS

AsteRx2e/2eL - Compact dual-frequency GPS/GLONASS receiver platform, offering top-quality GPS code and carrier phase data and dual-frequency positioning (including DGPS, RTK and PPP (AsteRx2eL)) at up to 25 Hz.

AsteRx3 - Compact multi-frequency GPS/GLONASS/Galileo COMPAS-ready receiver platform, offering cm-level GPS/GLONASS/GALILEO multi-frequency positioning (including DGPS and L1/L2-RTK) at up to 25 Hz.

AsteRx2eH - A unique single-board dual-frequency multi-antenna GPS/GLONASS receiver in a waterproof aluminum housing, that can be connected to 2 antennas for various machine control, heading and other multi-antenna applications.

AsteRxi - IMU assisted Compact Dual-frequency GNSS receiver platform, offering a 50Hz RTK position based on integrated IMU and GNSS measurements. In addition attitude information such as heading, pitch and roll are provided even in shadowed environments where conventional GNSS receivers fail.

PolARx3e/3eG/3eTR - A family of versatile high-accuracy dual-frequency GNSS receivers for precise positioning and navigation applications. Next to high-quality GPS measurements, it provides GLONASS dual-frequency data as well as modernized GPS (L2C). PolARx3eG provides access to the new and upcoming Galileo signals whereas PolARx3eTR is a dedicated GPS/GLONASS/GALILEO Timing/Reference receiver.

PolaNt* - A lightweight precise positioning and survey single or dual-frequency GPS or GPS/GLONASS antenna for use with the PolARx family.

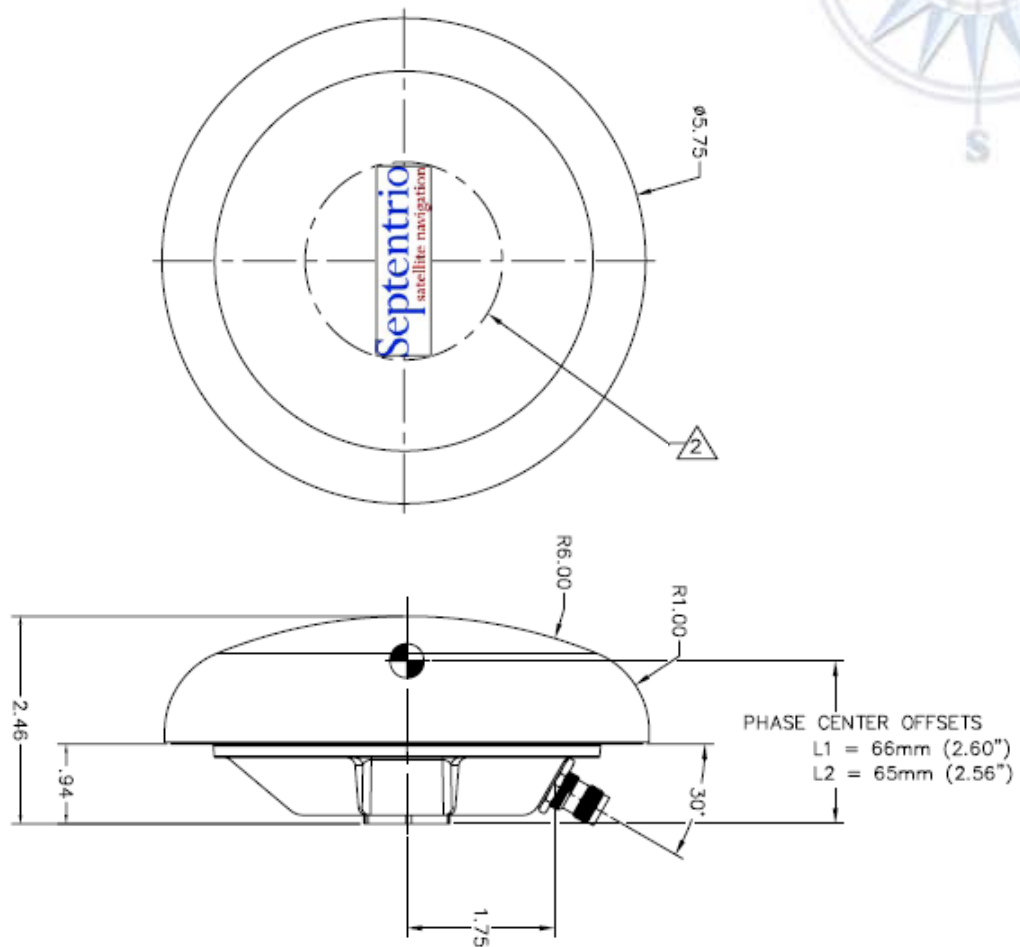
RxControl - RxControl is an intuitive user interface to configure and control all types of PolARx receivers and monitor, log and post data remotely.

RxMobile - A unique intuitive, portable GUI field controller for the Septentrio receivers. RxMobile allows controlling the receiver, monitoring the navigation solution and accessing its functions in the field in the same intuitive way as with RxControl.

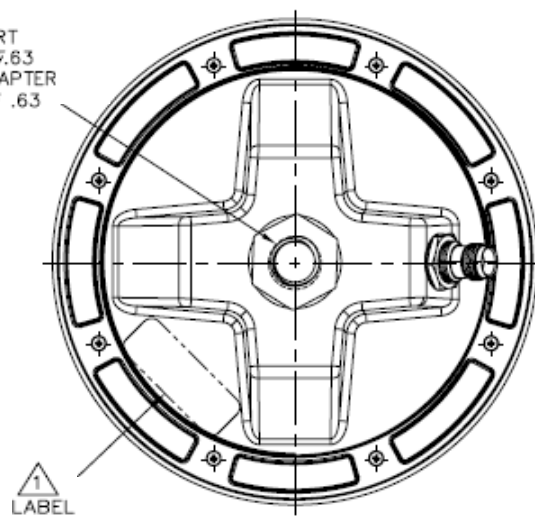


DIMENSIONS

Dimensions in inches



THREADED INSERT
1-14UNS-2B X ∇ .63
ALUM. THREADS ADAPTER
5/8-11UNC-2B ∇ .63
OPTIONAL



SSNDS 3/2011/19